

Cylindrical & Flat Heating Applications; up to 400°C

Applications: Mould heating, die heating, nozzle heating, injection, injection moulding, extruders, blow moulding machines

Technical Specifications

- | | |
|---------------------------------|--|
| ▶ Maximum Operating Temperature | 400° C (750° F) |
| ▶ Heater Inner Diameter | 2" or 50mm and up |
| ▶ Width | 1" or 25mm and up |
| ▶ Voltage | Upto 480V (single or three Phase) |
| ▶ Watt Density | Upto 25W/in ² |
| ▶ Resistance Tolerance | NEMA Standard plus 10% Minus 5% |
| ▶ Wattage Tolerance | NEMA Standard plus 5%, Minus 10% |
| ▶ Terminals | Junction Box fitted with braided cable & Post terminals & Many more options |
| ▶ Sheath | ALSTAR Aluminium coated steel (rust protection, high heat retention, faster heating) |
| ▶ Insulation Material | Mica |
| ▶ Clamping Arrangement | M6 fastner & nut-bolt |
| ▶ Standard gap when tightened | 3/8" to 1/2" |



Features

- ▶ Due to its high heat transfer capability, faster heating up & cooling down is possible
- ▶ The built in insulation is specially formulated for the excellent heat reflection & performance capabilities
- ▶ The low mass heaters give the best controllability. The lower the thermal mass, lesser time required to deliver the heat to the object to be heated. Due to low mass and high conductivity, the "Polymer Melt" is heated quickly. Resulting autotune function on a control works best
- ▶ Flexible one or two – piece design makes installation faster & easier. Its flexible construction also allows the heater to be opened to the full diameter of the cylinder
- ▶ The most common square, rectangular and hex-shaped mica heaters can be manufactured as per your specifications in one or two piece units. Available with leads or terminals
- ▶ EXCEL's exclusive method of designing, maximizes the element wire coverage of the heated area. This results in uniform heat distribution & longer heater life

Design & Construction Variations

XL MH-1



XL MH-2



XL MH-3



XL MH-4



XL MH-5



XL MH-6



XL MH-7



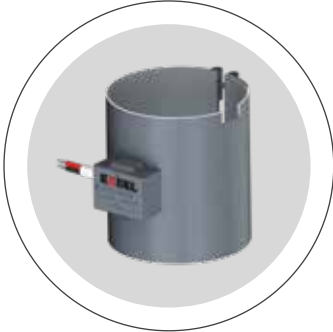
XL MH-8



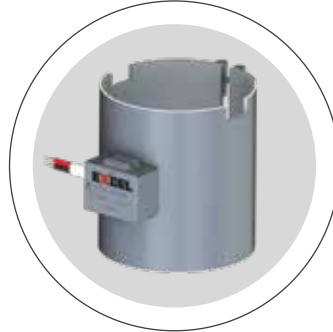
XL MH-9



XL MH-10



XL MH-11



XL MH-12



XL MH-13



Right Mounting of Band Heaters - Installation Procedure

- ▶ In order to enquire a long and reliable working life, it is necessary that the band heaters are properly fitted
- ▶ Install the heaters over a clean surface of the cylinder (barrel) to be heated
- ▶ The band heaters should be clamped (with nuts & bolts or welded clamp bars) securely to the object to be heated
- ▶ Switch "on" the heater
- ▶ **Important:** The retightening of the nuts & bolts must be done frequently starting from the initial heat up until it reaches to the set operating temperature. At the right stage, no more retightening is possible. Go-ahead for further operations
- ▶ This procedure will remove the effects of "thermal expansion) between the inner surface of heater & the cylinder(barrel), resulting in proper heat transfer to the object to be heated and longer heater life

