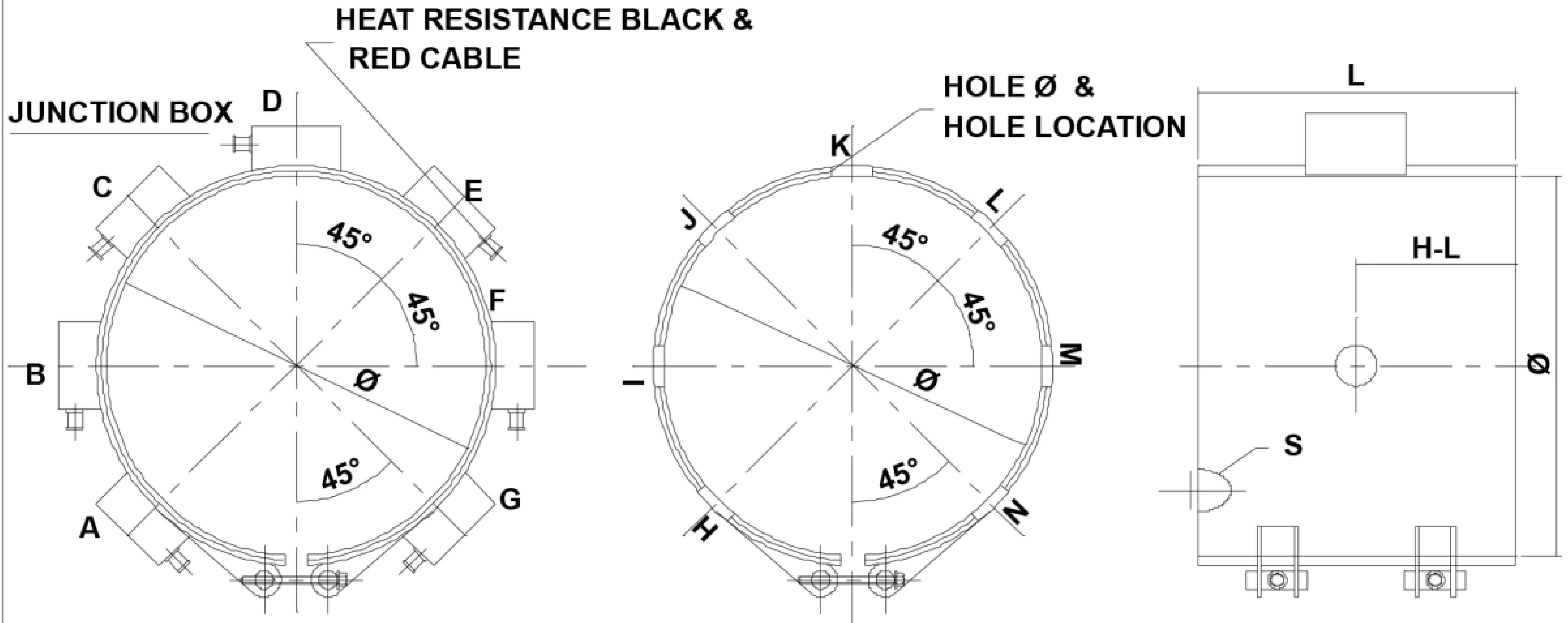


ORDER FORM



MICA HEATERS



ALL THE DIMENSIONS ARE IN MM

| SL NO. | DRG NO. | EXCEL DRG NO. | LOCATION USED | DIA \emptyset | LENGTH L | VOLT V | Hz | WATT W | TYPE | JUN BOX | HOLE LOC | HOLE \emptyset | HOLE LENGTH H-L | SLOT RADIUS S | LEAD LENGTH | QTY |
|--------|---------|---------------|---------------|-----------------|----------|--------|----|--------|------|---------|----------|------------------|-----------------|---------------|-------------|-----|
| 1 | | | | | | | | | | | | | | | | |
| 2 | | | | | | | | | | | | | | | | |
| 3 | | | | | | | | | | | | | | | | |
| 4 | | | | | | | | | | | | | | | | |
| 5 | | | | | | | | | | | | | | | | |
| 6 | | | | | | | | | | | | | | | | |
| 7 | | | | | | | | | | | | | | | | |
| 8 | | | | | | | | | | | | | | | | |
| 9 | | | | | | | | | | | | | | | | |
| 10 | | | | | | | | | | | | | | | | |

Name Mr / Ms : _____
Designation : _____ **Dept. :** _____
Company name : _____
Address : _____

Phone Office : _____ **Ext. :** _____
Phone Factory : _____ **Ext. :** _____
Fax : _____ **Mobile. :** _____
E-mail : _____
Web-site Address : _____

EXCEL HEATERS

Manufacturer & Exporter of Industrial Heaters & Thermocouples

Regd. office : 122, Andheri Industrial Estate, off Veera Desai Road, Andheri (West), Mumbai - 400 053 (INDIA)

Tel No : 022 26730888 / 26731171 / 72 / 73

E-mail : bshah@excelheaters.com / excelheaters@vsnl.net Website : www.excelheaters.com

Works : 644 / 25, Agarwal Industrial Estate, Somnath Road, Dabhel, Daman - 396215

Tel No : 0260 - 2244384 / 85