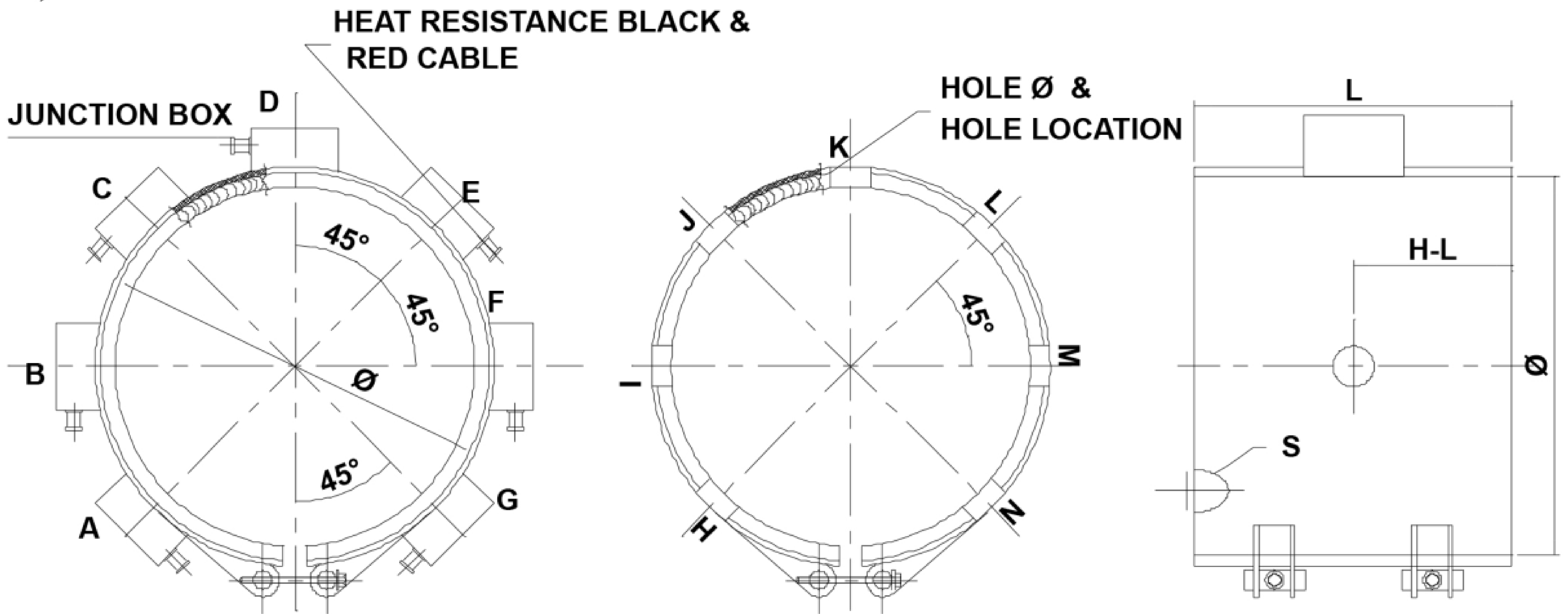


**CERAMIC HEATERS**



**ALL THE DIMENSIONS ARE IN MM**

SL NO.	DRG NO.	EXCEL DRG NO.	LOCATION USED	DIA Ø	LENGTH L	VOLT V	Hz	WATT W	TYPE	JUN BOX	HOLE LOC	HOLE Ø	HOLE LENGTH H-L	SLOT RADIUS. S	LEAD LENGTH	QTY
1																
2																
3																
4																
5																
6																
7																
8																
9																
10																

Name Mr / Ms : \_\_\_\_\_

Designation : \_\_\_\_\_ Dept. : \_\_\_\_\_

Company name : \_\_\_\_\_

Address : \_\_\_\_\_

Phone Office : \_\_\_\_\_ Ext. : \_\_\_\_\_

Phone Factory : \_\_\_\_\_ Ext. : \_\_\_\_\_

Fax : \_\_\_\_\_ Mobile. : \_\_\_\_\_

E-mail : \_\_\_\_\_

Web-site Address : \_\_\_\_\_

**EXCEL HEATERS**

Manufacturer & Exporter of Industrial Heaters & Thermocouples

Regd. office : 122, Andheri Industrial Estate, off Veera Desai Road, Andheri (West), Mumbai - 400 053 (INDIA)

Tel No : 022 26730888 / 26731171 / 72 / 73

E-mail : bshah@excelheaters.com / excelheaters@vsnl.net Website : www.excelheaters.com

Works : 644 / 25, Agarwal Industrial Estate, Somnath Road, Dabhel, Daman - 396215

Tel No : 0260 - 2244384 / 85