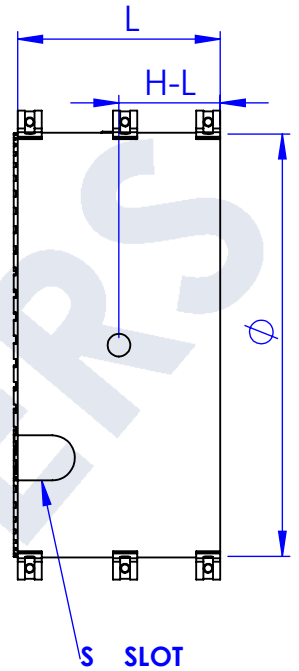
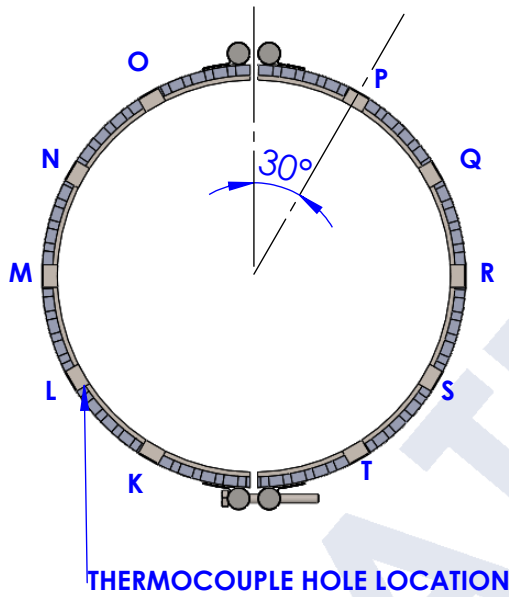
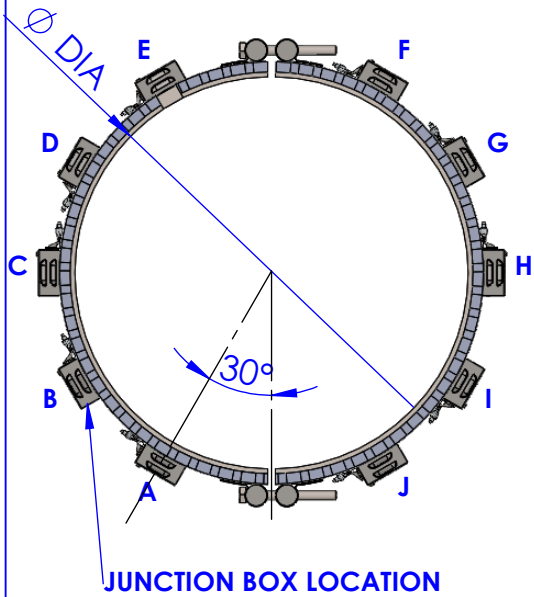




**CERAMIC BAND HEATERS  
(TWO PART)**



**ALL DIMENSIONS IN MM**

SR NO	EXCEL DRG NO.	LOCATI ON USED	DIA Ø	LENGTH L	VOLT V	WATT W	HZ	TYPE	JUN . BOX	HOLE LOC .	HOLE Ø	HOLE LEN . H-L	SLOT RADIUS S	LEAD LENGTH	QTY	MODEL NO.
1																
2																
3																
4																
5																
6																
7																
8																
9																
10																

NAME Mr / Ms : \_\_\_\_\_  
 DESIGNATION : \_\_\_\_\_ DEPT. : \_\_\_\_\_  
 COMPANY NAME : \_\_\_\_\_  
 ADDRESS : \_\_\_\_\_  
 \_\_\_\_\_  
 \_\_\_\_\_

PHONE OFFICE : \_\_\_\_\_ EXT. : \_\_\_\_\_  
 PHONE FACTORY : \_\_\_\_\_ EXT. : \_\_\_\_\_  
 MOBILE : \_\_\_\_\_ MOBILE : \_\_\_\_\_  
 EMAIL : \_\_\_\_\_  
 WEB - SITE ADDRESS : \_\_\_\_\_



**EXCEL HEATERS**

Manufacturer & Exporter of Industrial Heaters & Thermocouples

Sales office : 122/123, Andheri Industrial Estate, off Veera Desai Road, Andheri (West), Mumbai - 400053 (INDIA)

Tel No.: 022 26730888 / 26731171 / 72 / 73 Mobile No. : +91 8369350073 / 74

E-mail : Sales@excelheaters.com Website : www.excelheaters.com

Factory : 644 / 25 , Agarwal Industrial Estate , Somnath Road , Dabhel , Daman - 396215