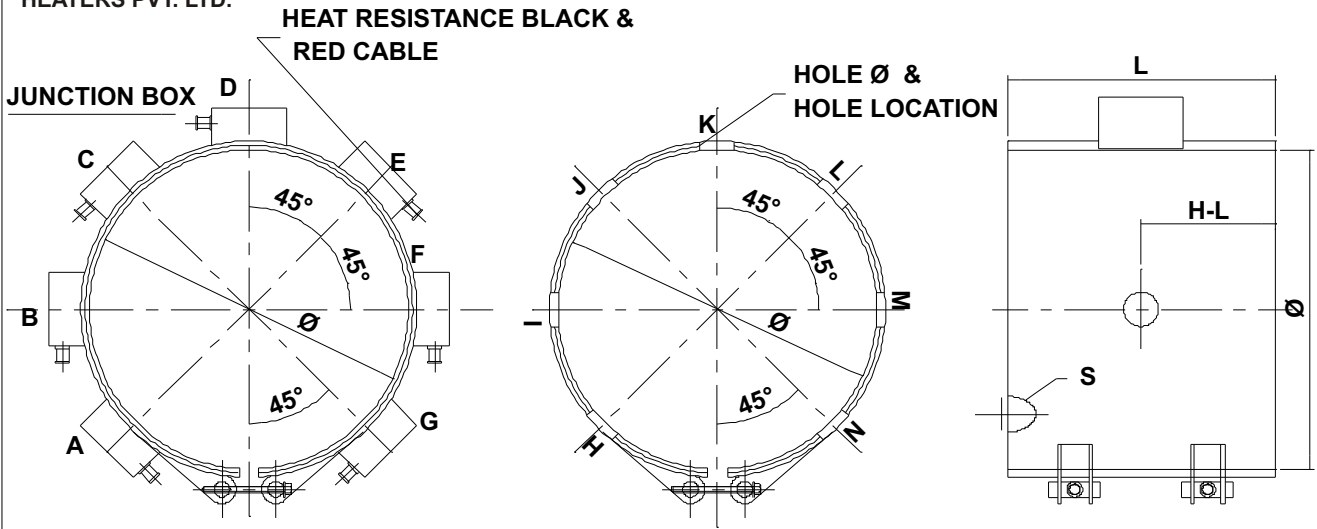


ORDER FORM



MICA HEATERS



ALL THE DIMENSIONS ARE IN MM

SL NO.	DRG NO.	EXCEL DRG NO.	LOCATION USED	DIA \emptyset	LENGTH L	VOLT V	Hz	WATT W	TYPE	JUN BOX	HOLE LOC	HOLE \emptyset	HOLE LENGTH H-L	SLOT RADIUS S	LEAD LENGTH	QTY
1																
2																
3																
4																
5																
6																
7																
8																
9																
10																

Name Mr / Ms : _____
Designation : _____ **Dept. :** _____
Company name : _____
Address : _____

Phone Office : _____ **Ext. :** _____
Phone Factory : _____ **Ext. :** _____
Fax : _____ **Mobile. :** _____
E-mail : _____
Web-site Address : _____

EXCEL HEATERS PVT. LTD.

Manufacturers & Exporters of Industrial Heaters & Thermocouples

122, Andheri Industrial Estate,
 Veera Desai Road,
 Andheri (West)
 Mumbai - 400 053 .
 India

Phone : 91-22-2673 0888 / 2673 1171-72
Fax : 91-22-2673 1173
E-Mail : sales@excelheaters.com
Web Site : www.excelheaters.com
Contact Person : Mr. Bharat Shah (Managing Director)