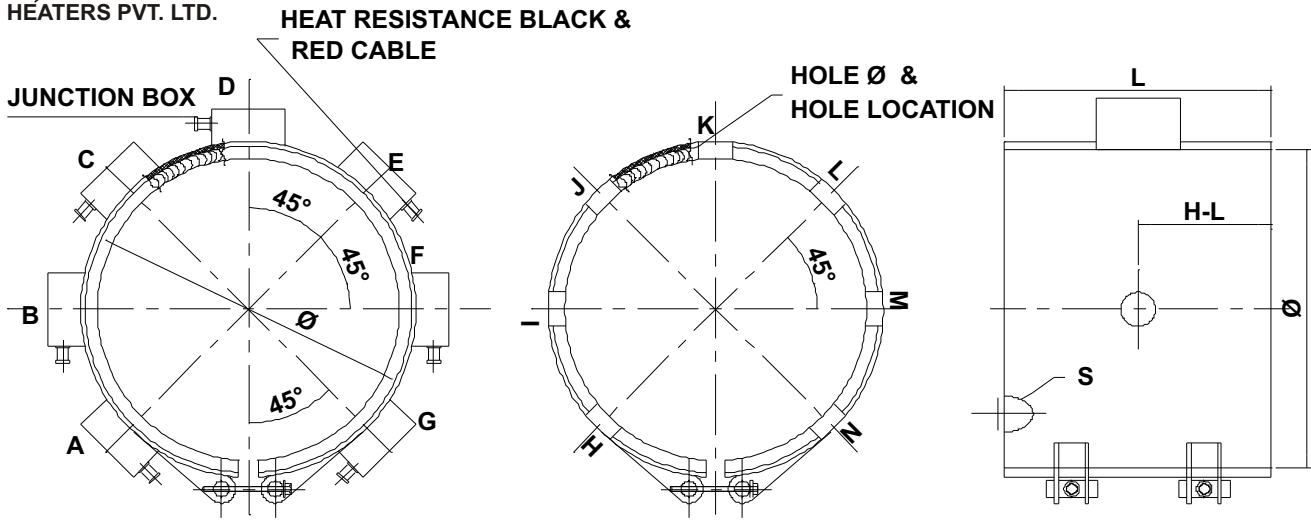


ORDER FORM



CERAMIC HEATERS



ALL THE DIMENSIONS ARE IN MM

SL NO.	DRG NO.	EXCEL DRG NO.	LOCATION USED	DIA Ø	LENGTH L	VOLT V	Hz	WATT W	TYPE	JUN BOX	HOLE LOC	HOLE Ø	HOLE LENGTH H-L	SLOT RADIUS. S	LEAD LENGTH	QTY
1																
2																
3																
4																
5																
6																
7																
8																
9																
10																

Name Mr / Ms : _____

Designation : _____ Dept. : _____

Company name : _____

Address : _____

Phone Office : _____ Ext. : _____

Phone Factory : _____ Ext. : _____

Fax : _____ Mobile. : _____

E-mail : _____

Web-site Address : _____

EXCEL HEATERS PVT. LTD.

Manufacturers & Exporters of Industrial Heaters & Thermocouples

122,Andheri Industrial Estate,
Veera Desai Road,
Andheri (West)
Mumbai - 400 053 .
India

Phone : 91-22-2673 0888 / 2673 1171-72
Fax : 91-22-2673 1173
E-Mail : sales@excelheaters.com
Web Site : www.excelheaters.com
Contact Person : Mr. Bharat Shah (Managing Director)