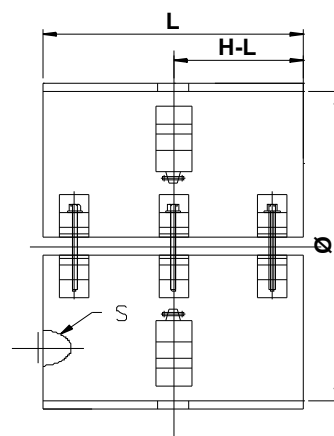
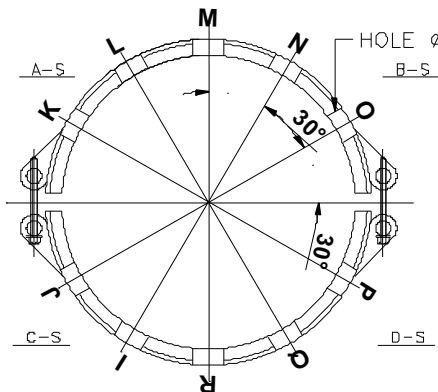
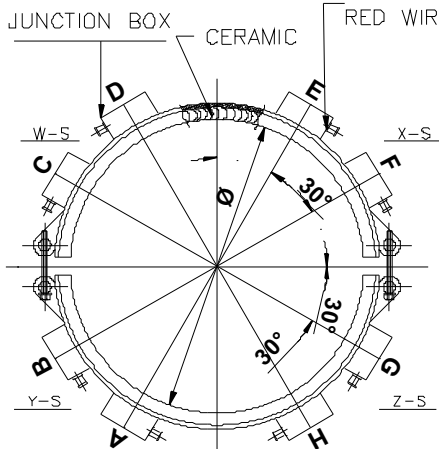


ORDER FORM



CERAMIC HEATERS (TWO PART)

HEAT RESISTANCE BLACK &
RED WIRE 150mm LONG.



ALL THE DIMENSIONS ARE IN MM

| SL NO. | KABRA DRG NO. | EXCEL DRG NO. | LOCATION USED | DIA Ø | LENGTH | VOLT | Hz | WATT | TYPE | JUN BOX | HOLE LOC | HOLE Ø | HOLE LENGTH | SLOT RADIUS. | LEAD LENGTH | PRICE |
|--------|---------------|---------------|---------------|-------|--------|------|----|------|------|---------|----------|--------|-------------|--------------|-------------|-------|
| 1 | | | | | | | | | | | | | | | | |
| 2 | | | | | | | | | | | | | | | | |
| 3 | | | | | | | | | | | | | | | | |
| 4 | | | | | | | | | | | | | | | | |
| 5 | | | | | | | | | | | | | | | | |
| 6 | | | | | | | | | | | | | | | | |
| 7 | | | | | | | | | | | | | | | | |
| 8 | | | | | | | | | | | | | | | | |
| 9 | | | | | | | | | | | | | | | | |
| 10 | | | | | | | | | | | | | | | | |

Name Mr / Ms : _____

Designation : _____ Dept. : _____

Company name : _____

Address : _____

Phone Office : _____ Ext. : _____

Phone Factory : _____ Ext. : _____

Fax : _____ Mobile. : _____

E-mail : _____

Web-site Address : _____

EXCEL HEATERS PVT. LTD.

Manufacturers & Exporters of Industrial Heaters & Thermocouples

122,Andheri Industrial Estate,
Veera Desai Road,
Andheri (West)
Mumbai - 400 053 .
India

Phone : 91-22-2673 0888 / 2673 1171-72
Fax : 91-22-2673 1173
E-Mail : sales@excelheaters.com
Web Site : www.excelheaters.com
Contact Person : Mr. Bharat Shah (Managing Director)