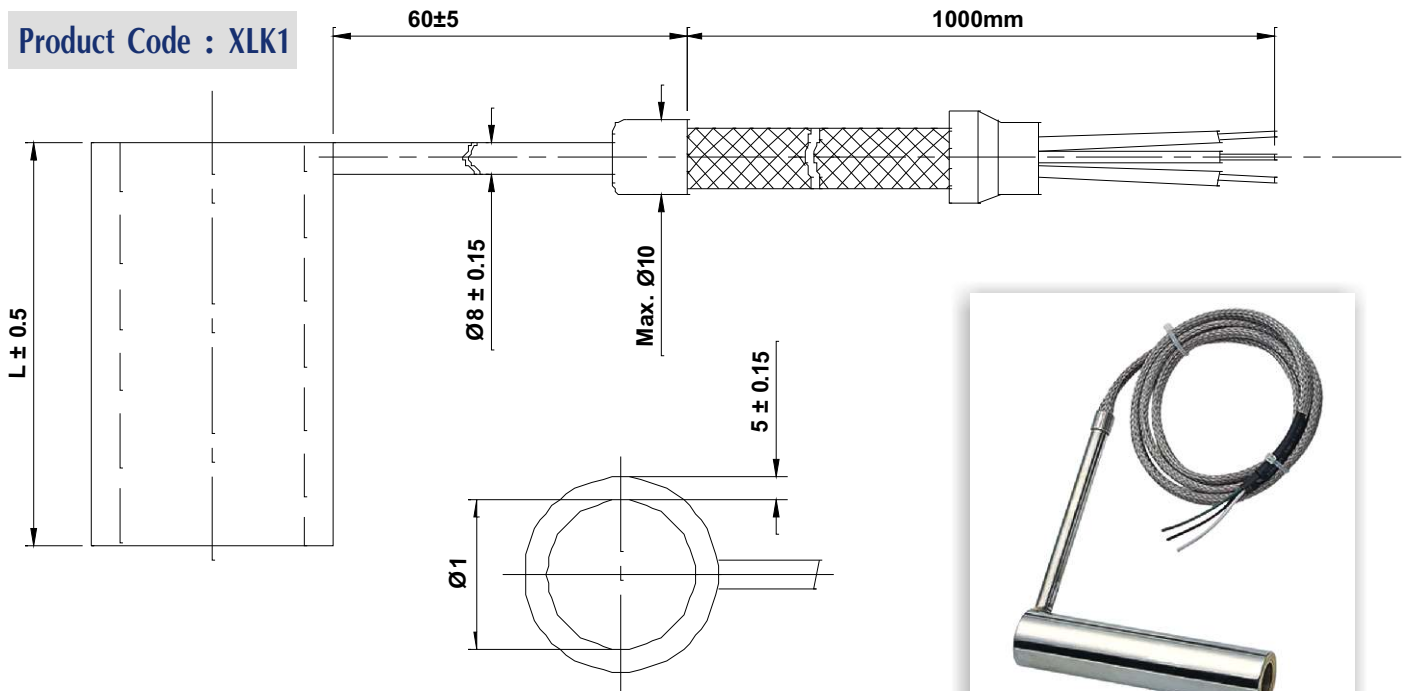


EXCEL HEATERS PVT. LTD.

(A Bharat Shah Group of Companies)

MANUFACTURERS & EXPORTERS OF INDUSTRIAL HEATERS & THERMOCOUPLES

CASTING HEATERS FOR HOT RUNNER



All the Dimensions are in mm.

Closed Heating Ring

Diameter (Ø) mm	Length (L)											
	20	40	60	80	100	120	140	160	180	200	220	240
12		250W	300W	400W	500W	600W	650W	700W	750W	800W	900W	1000W
13		250W	300W	400W	500W	600W	650W	700W	750W	800W	900W	1000W
14	150W	250W	350W	450W	550W	650W	700W	750W	800W	850W	950W	1050W
15	150W	250W	350W	450W	550W	650W	700W	750W	800W	850W	950W	1050W
16	150W	250W	350W	450W	550W	650W	700W	750W	800W	850W	950W	1050W
18	150W	300W	450W	550W	650W	750W	800W	850W	900W	950W	1000W	1050W
19	150W	300W	450W	550W	650W	750W	800W	850W	900W	950W	1000W	1050W
20	150W	300W	450W	550W	650W	750W	800W	850W	900W	950W	1000W	1050W
22	200W	350W	500W	600W	700W	800W	850W	900W	950W	1000W	1050W	1100W

Effective power (Watt) at 230V of Voltage